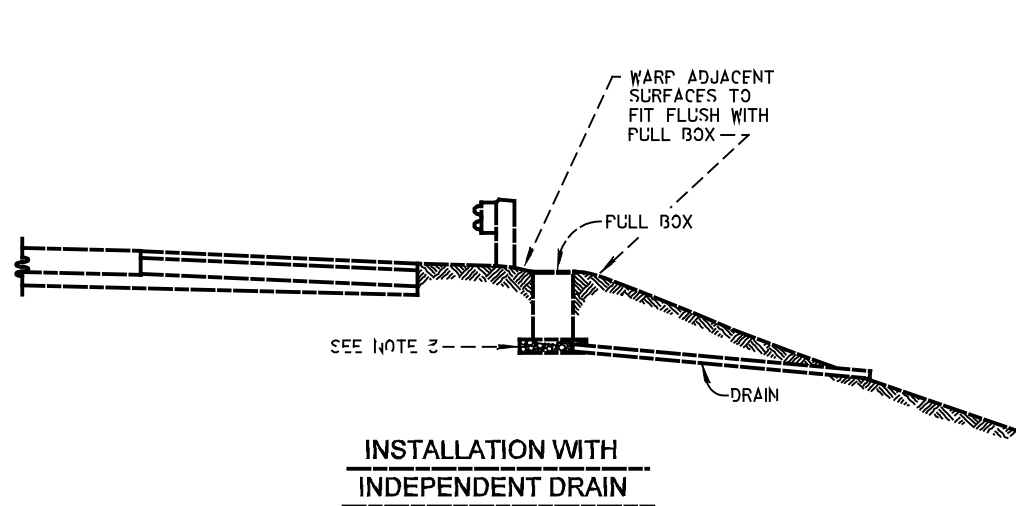
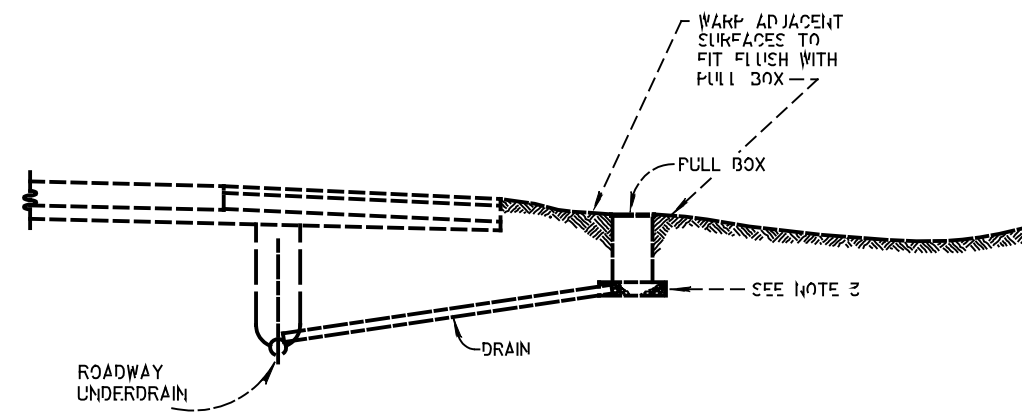


**PORTLAND CEMENT
CONCRETE PULLBOX**



**INSTALLATION WITH
INDEPENDENT DRAIN**



**INSTALLATION WITH
CONNECTION TO
ROADWAY UNDERDRAIN**

NOTES

1. Pullboxes shall conform with ODOT SMS 625.10, 725.07, 725.03 and 725.09.
2. Conduit openings shall be sealed after conduit installation.
3. Aggregate used for pullboxes shall be No. 7 or 8, at least 6" (150 mm) deep. Cost for aggregate shall be included with the unit price bid for each pullbox.
4. Pullbox drains in accordance with ODOT SMS 603 shall be installed when specified, or as directed by the Engineer.
5. A durable label reminding of the need to lubricate the threads of the cover hold down screws with grease or anti-seize compound shall be on the inside of the frame or upper wall.
6. See ODOT specifications for cover marking requirements.
7. Portland cement concrete pullbox covers shall be cast iron with reinforcing ribs and matching frames by length, beam or turn foundries, or approved equal, or covers may be 1/2" (13 mm) minimum galvanized plate steel.
8. Tapered thickness portland cement concrete pullbox walls may be used; however, minimum wall thickness shall be as indicated.
9. Lifting rings or wire pulling rings may be incorporated into precast portland cement concrete pullbox walls.
10. Conduit entries for cast-in-place portland cement concrete pullboxes shall be cast as required. Precast portland cement concrete pullboxes may have field core drilled or sawed openings, or may have precast openings or may have knockouts. Knockouts shall be arranged to avoid compromising the structural integrity of the box.