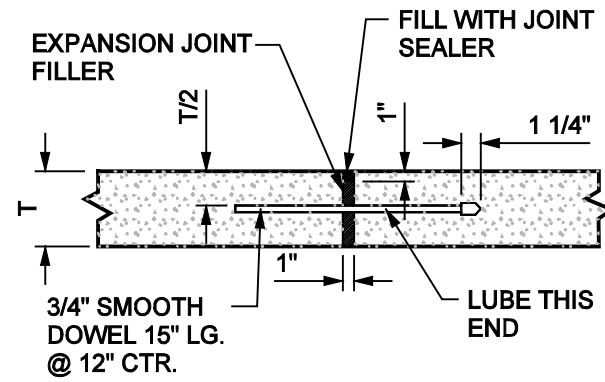
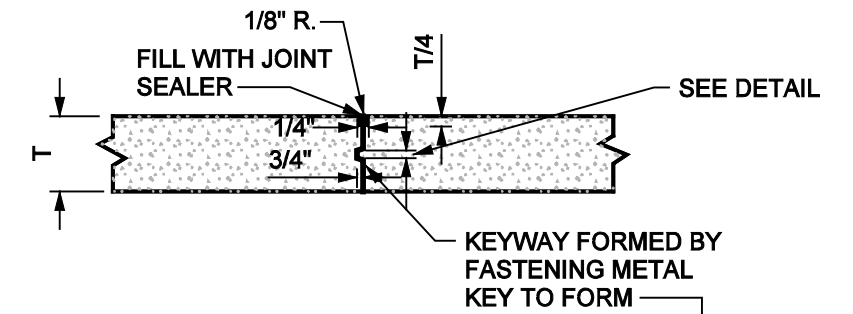


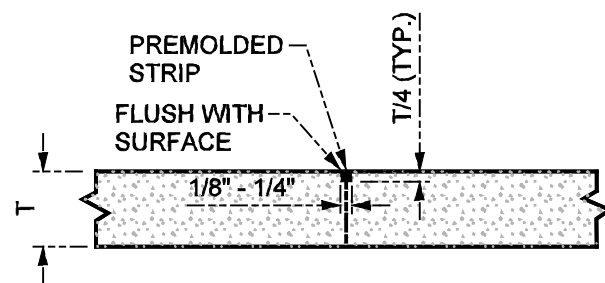
TYPE "A"
EXPANSION JOINT



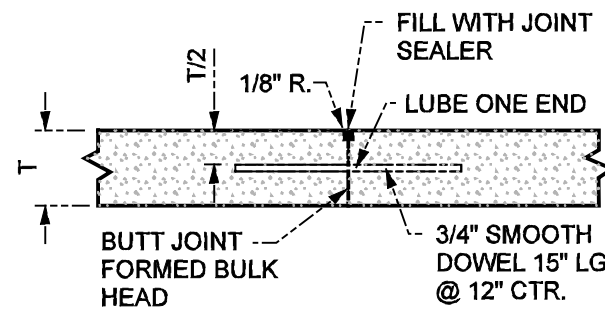
TYPE "A" ●
ALTERNATE EXPANSION JOINT



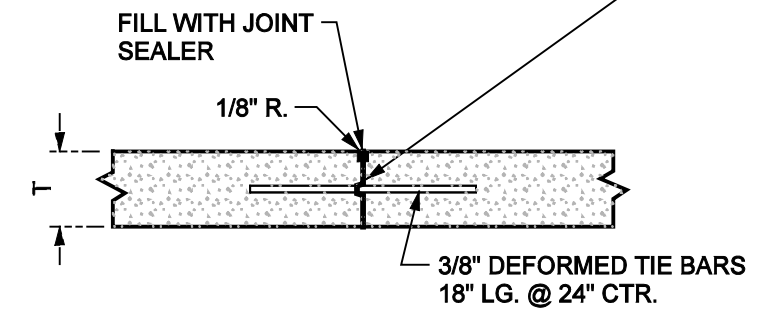
TYPE "B"
LONGITUDINAL
CONSTRUCTION JOINT



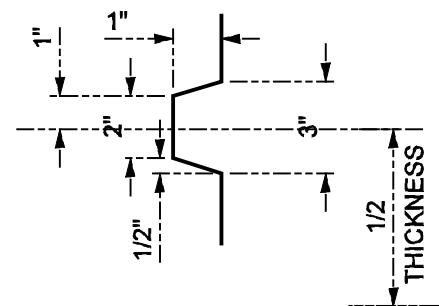
TYPE "C"
SAWED OR
PREMOLDED STRIP



TYPE "D" ●
TRANSVERSE
CONSTRUCTION JOINT



TYPE "E"
TIED TRANSVERSE
CONSTRUCTION JOINT



KEY DETAIL

CONTRACTION JOINTS SHALL BE CUT AT ONE EDGE OF EACH CATCH BASIN.

NOTE:
● THESE DOWELLED JOINTS MUST BE CONSTRUCTED PERPENDICULAR TO THE CENTERLINE OF PAVEMENT.