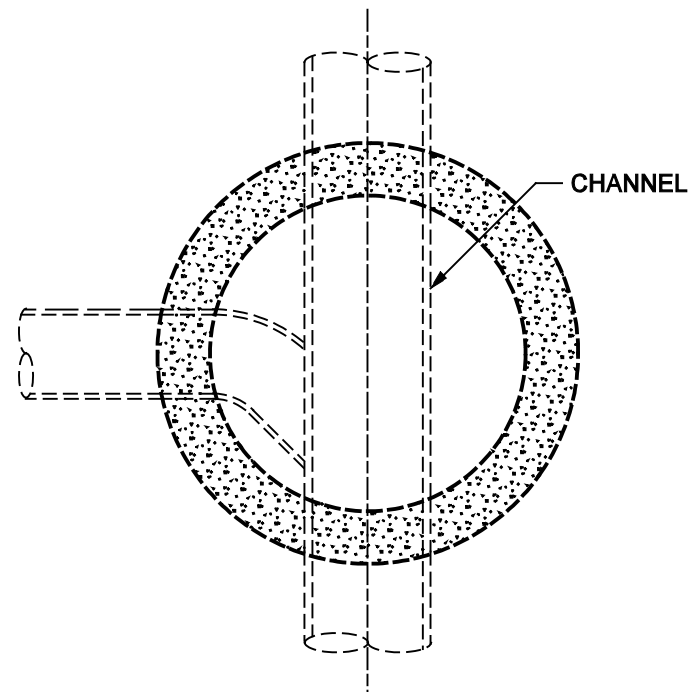
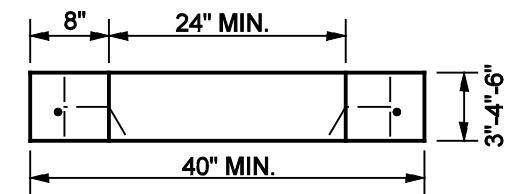
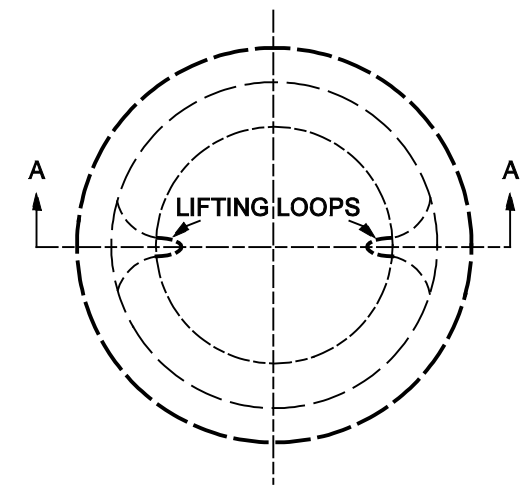


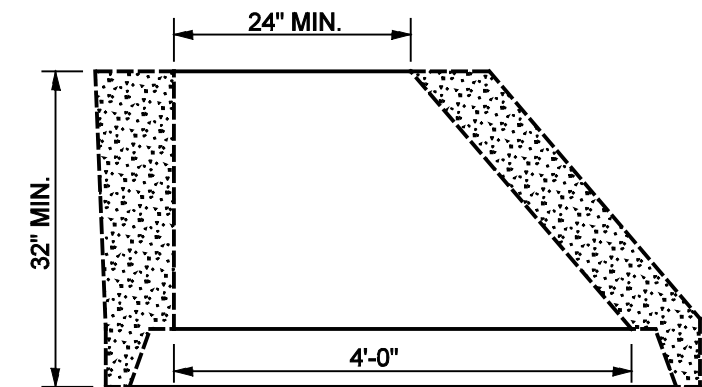
FOR SEWERS LESS THAN 48" IN DIAMETER



SECTIONAL PLAN



SECTION A-A
PRECAST ADJUSTING RING



ECCENTRIC CONE