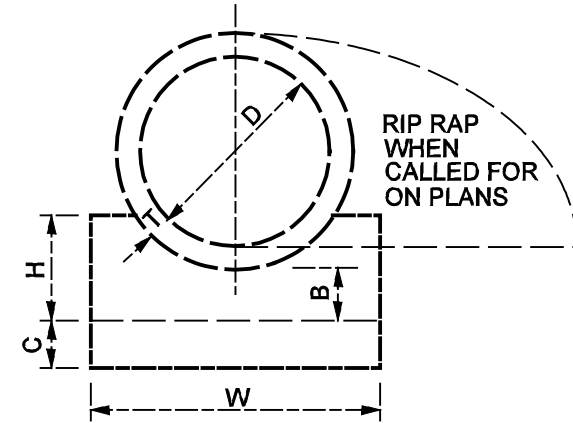
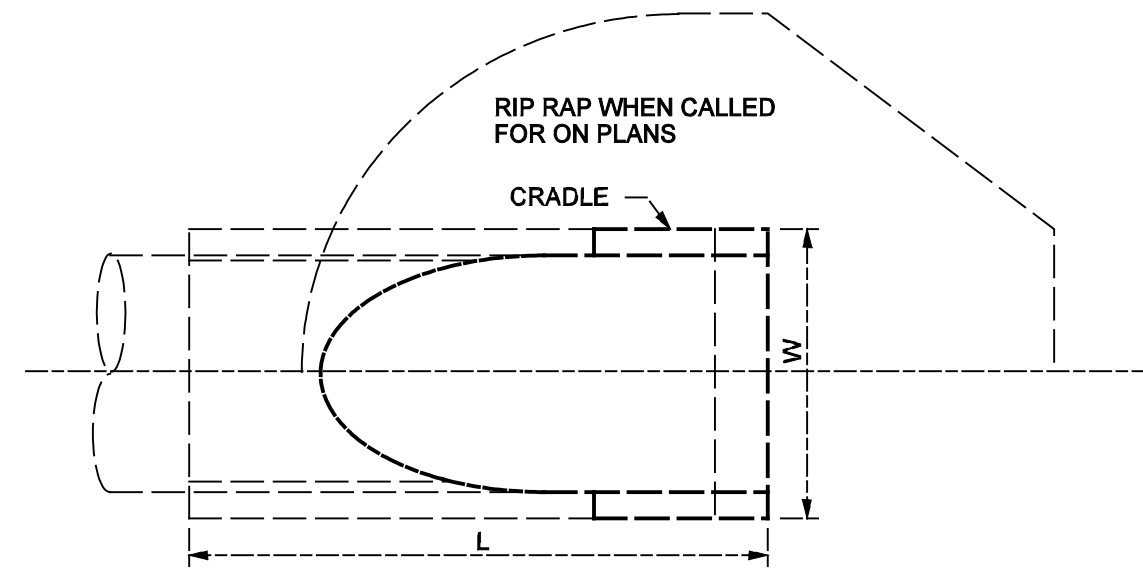


**SIDE VIEW**



**END VIEW**



**PLAN VIEW**

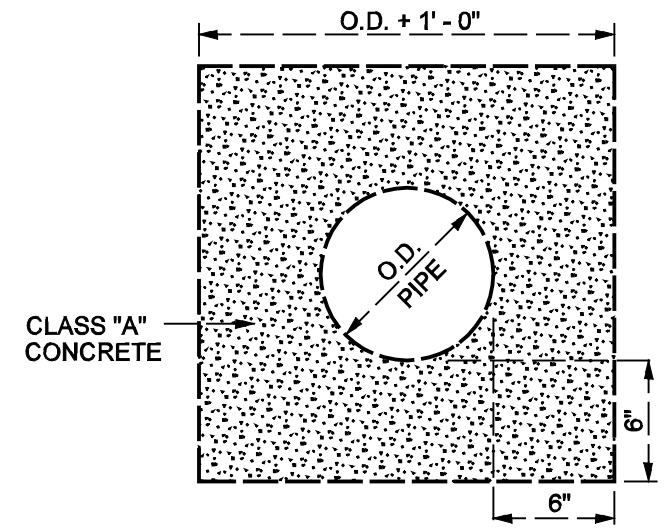
**PIPE CRADLE**

**NOTES**

1. LENGTH OF CRADLE TO BE 10'-0" FOR FILLS UP TO 15'-0" DEEP AND EQUAL TO THE DEPTH OF FILL FOR DEPTHS 15'-0" AND OVER.
2. RIP RAP MAY BE PLACED AT INLET AND OUTLET OF CULVERT AS DETERMINED BY THE ENGINEER.

**CRADLE DIMENSIONS & QUANTITIES**

D	B	C	H	W	CUBIC YARDS CLASS A CONC.	
					TWO CUT-OFF WALLS	PER LIN. FT. OF CRADLE
12"	6"	14"	11"	11'0"	.2	.0476
15"	6"	14"	1'0"	2'1"	.2	.0580
18"	6"	14"	1'2"	2'5"	.2	.0801
24"	6"	1'3"	1'4"	2'11"	.3	.0924
27"	6"	1'3"	1'5"	3'3"	.3	.1144
30"	6"	1'3"	1'6"	3'6"	.3	.1181
33"	6"	1'3"	1'7"	3'10"	.3	.1323
36"	6"	1'3"	1'8"	4'1"	.4	.1462
39"	6"	1'3"	1'9"	4'4"	.4	.1606
42"	6"	2'2"	1'11"	4'8"	.7	.1768
48"	6"	2'2"	2'1"	5'3"	.8	.2110
54"	8"	1'11"	2'4"	5'11"	.9	.2972
60"	8"	1'11"	2'9"	6'6"	.9	.3398
66"	10"	1'9"	3'0"	7'3"	.9	.4468
72"	10"	1'8"	3'2"	7'10"	.10	.4989
84"	10"	1'7"	3'6"	8'11"	.10	.6126



**CONCRETE ENCASEMENT DETAIL**

**CONCRETE QUANTITIES**

(IN.) DIA.	CY/LF
4	0.07
6	0.08
9	0.10
10	0.11
12	0.13
14	0.14
16	0.16
18	0.18
20	0.20
24	0.23

NOTE: O.D. OF PIPE SHOWN IS THAT OF PIPE BARREL ONLY.