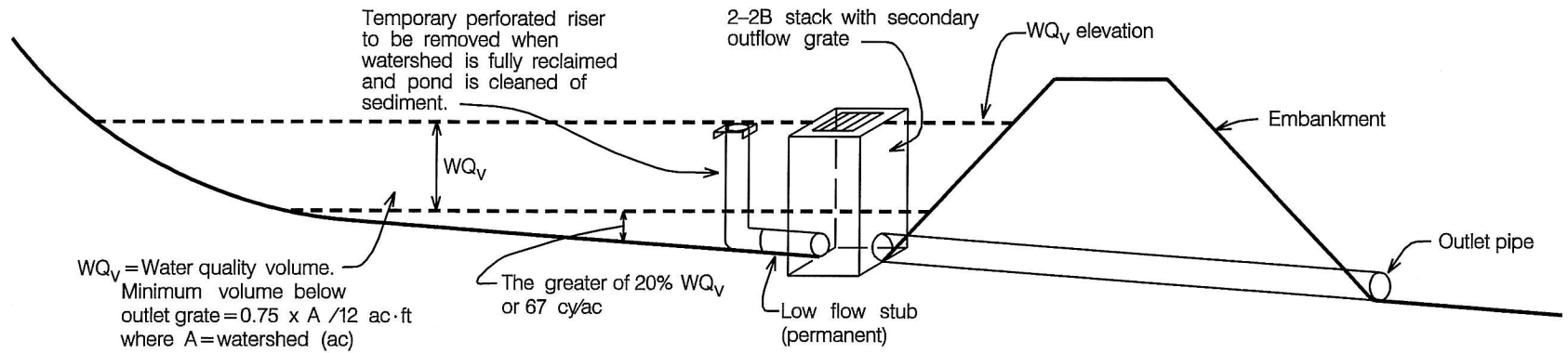


Sedimentation /Detention Pond Detail



WQ_V = Water quality volume.
Minimum volume below outlet grate = $0.75 \times A / 12$ ac·ft
where A = watershed (ac)

NOTES:

1. Provide benchmark for clean-out elevation = 40 cy/ac
2. L/W ratio > 6
3. Maximize travel length from inflow to outflow
4. Trees will be removed from the impoundment area prior to pond construction. Subsequently, the impoundment area will be maintained free of trees.
5. Riprap is not permitted in the pond.
6. The pond bottom will slope toward the outlet at minimum 1%.
7. A low flow channel will be provided between inlet and outlet devices.

Temporary standpipe detail

