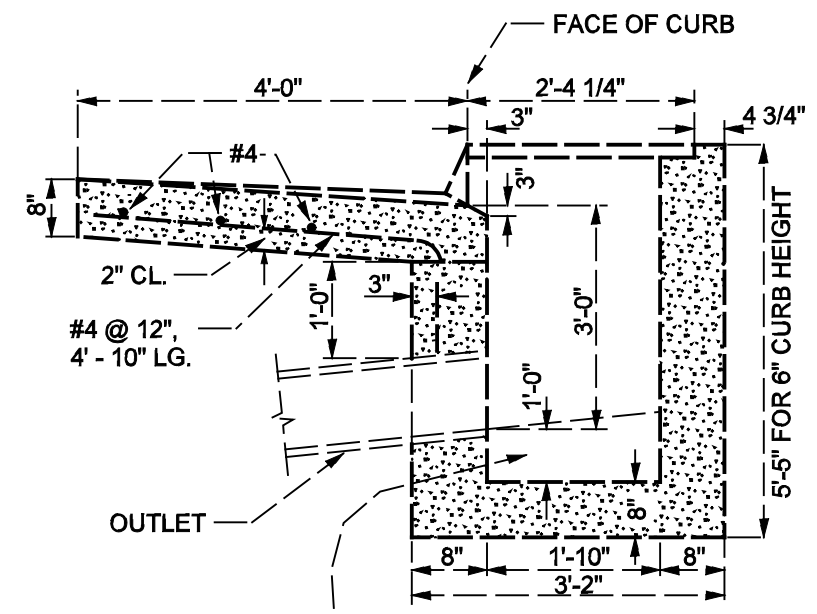
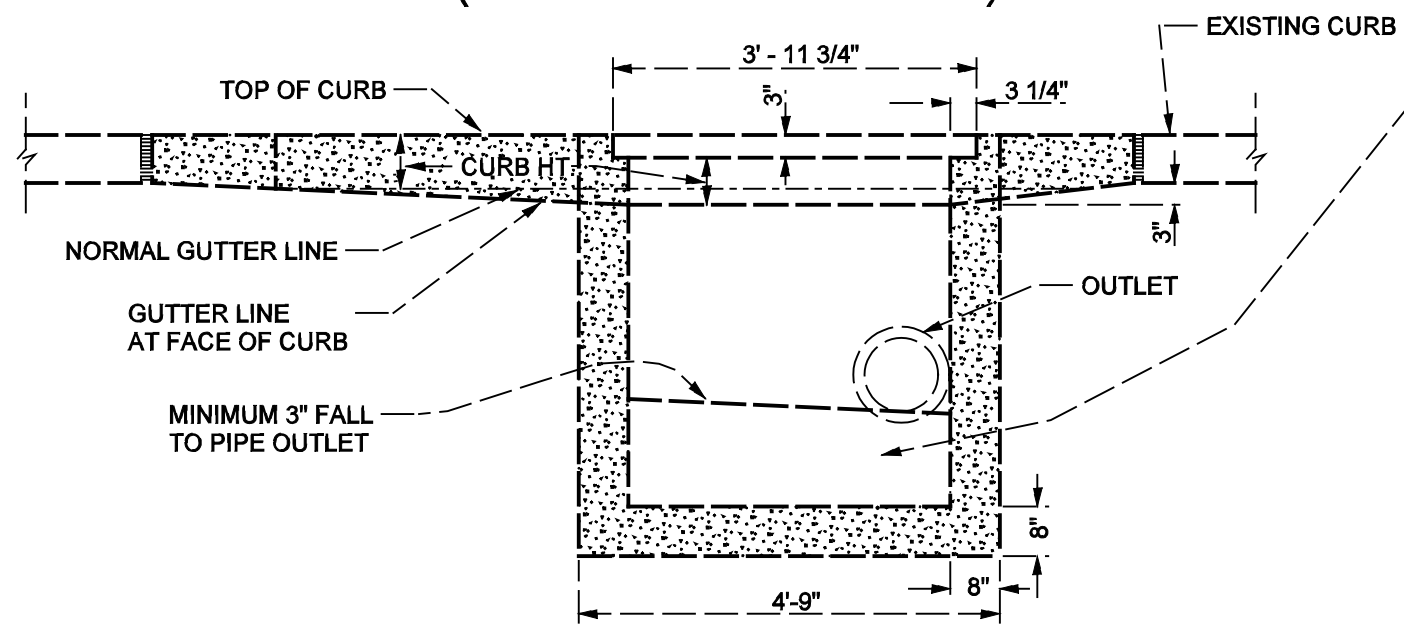


**PLAN
(WITH COVER REMOVED)**



SECTION B - B



SECTION A - A

TO BE CLEANED AND FILLED WITH CLASS "A" CONCRETE BEFORE CATCH BASIN IS PUT INTO SERVICE.

NOTES:

1. CURB ALONG APRON TO HAVE VERTICAL FACE AND BE MONOLITHIC WITH APRON.
2. FOR COVER, SEE CATCH BASIN FRAME AND LID SHEET.
3. CATCH BASIN MAY BE PRECAST UNIT OR POURED IN PLACE IF GRADE IS NOT GREATER THAN 2.75%.
4. PRECAST UNITS SHALL HAVE MINIMUM WALL THICKNESS OF 5".

NOTE: BOTTOM TO BE CONTOURED TO PROVIDE POSITIVE DRAINAGE.