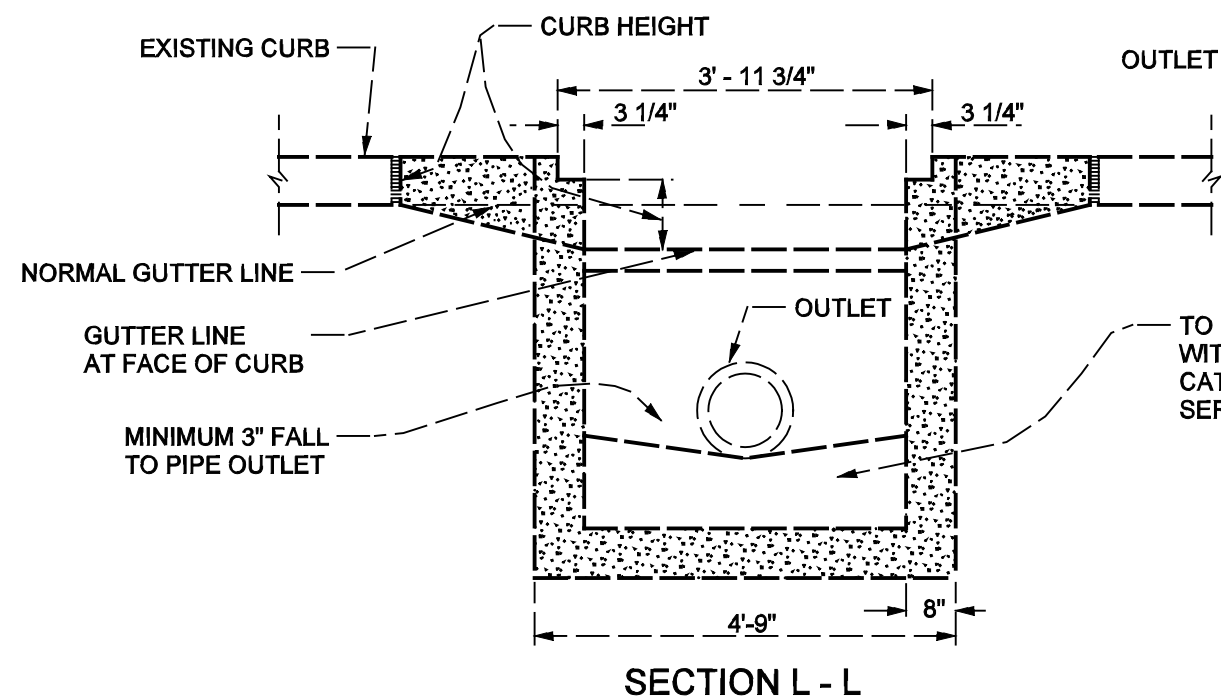
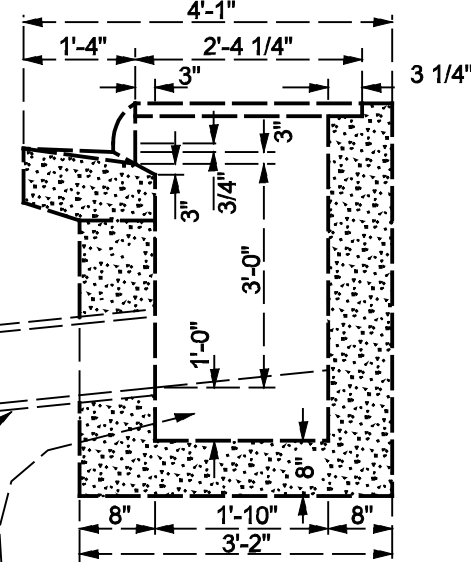


NOTE: BOTTOM TO BE CONTOURED TO PROVIDE POSITIVE DRAINAGE.

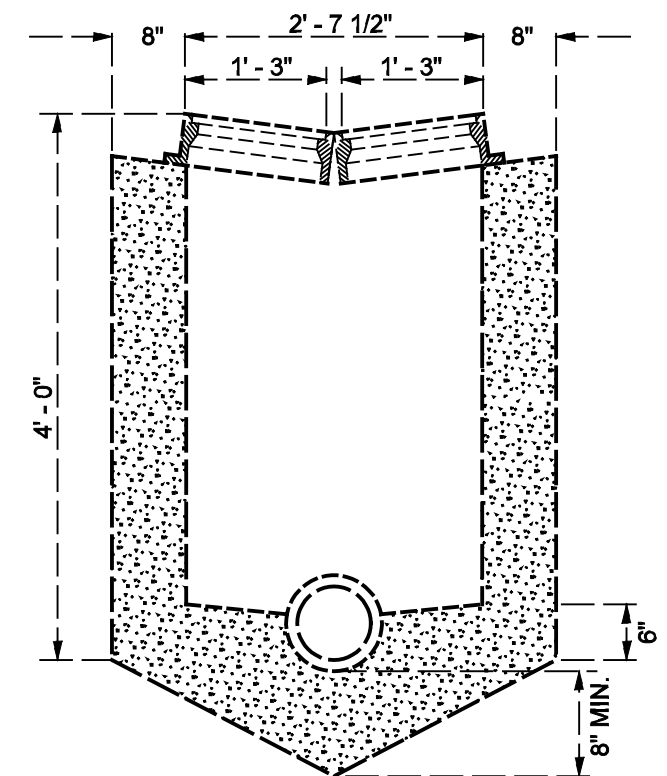
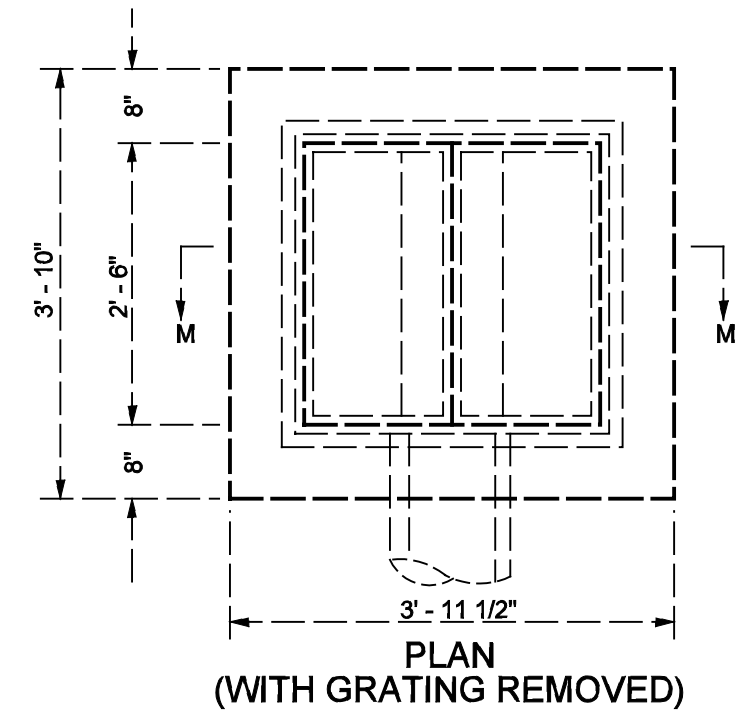


TO BE CLEANED AND FILLED WITH CLASS "A" CONCRETE BEFORE CATCH BASIN IS PUT INTO SERVICE.

NOTES:

1. CURB ALONG APRON (TYPE "D" CATCH BASIN) TO HAVE VERTICAL FACE AND BE MONOLITHIC WITH APRON.
2. FOR GRATINGS, SEE CATCH BASIN FRAME AND LID SHEET.
3. PRECAST UNITS SHALL HAVE MINIMUM WALL THICKNESS OF 5".

**TYPE "D" CATCH BASIN**  
FOR USE AT LOW POINT



**TYPE "E" CATCH BASIN**