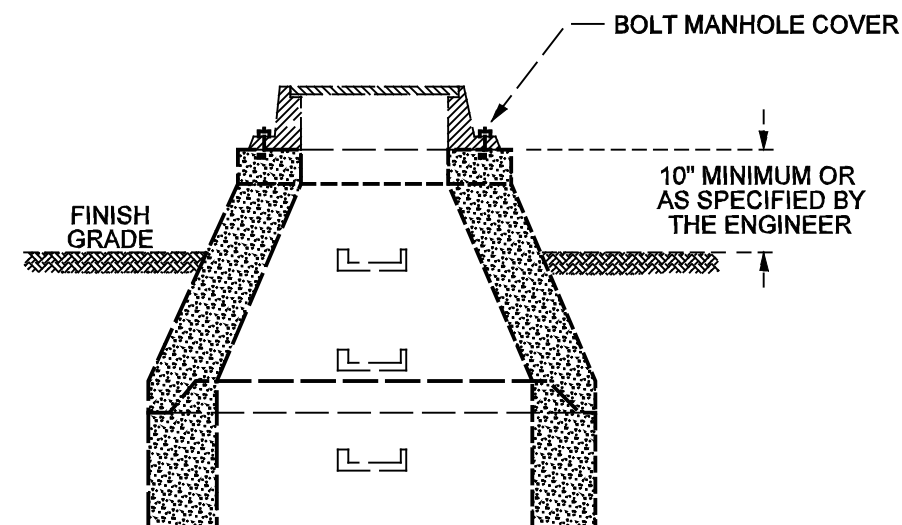
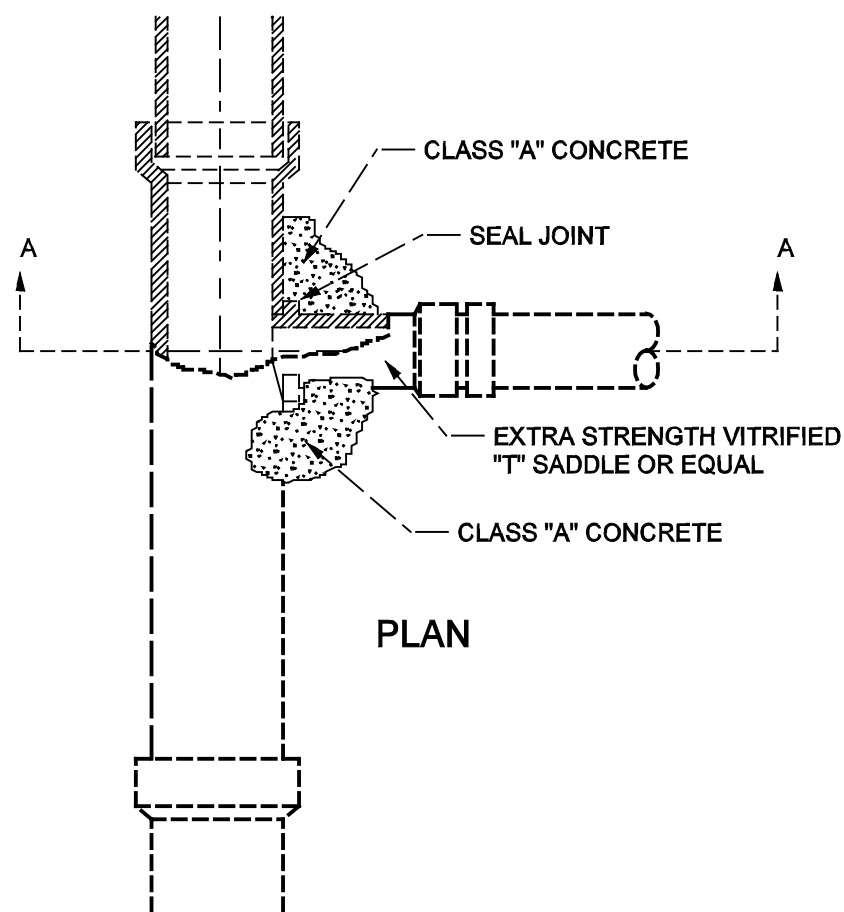


SECTION A-A

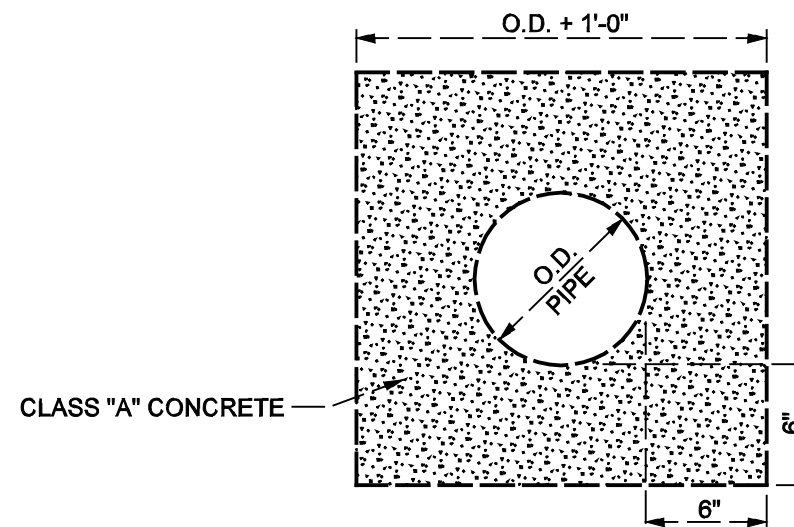
1. SOLID SANITARY LIDS MAY BE REQUIRED BY THE ENGINEER.
2. SANITARY LATERALS SHALL BE 4" IN DIA. (MIN.)
3. SANITARY SEWER JOINTS MUST BE APPROVED FOR TYPE AND MATERIAL BEFORE CONSTRUCTION.
4. ALL SANITARY SEWERS SHALL BE AIR TESTED TO DETERMINE COMPLIANCE WITH EPA REQUIREMENTS. WATER TESTING MAY BE USED IN LIEU OF THE AIR TEST BUT ONLY WITH PRIOR APPROVAL OF THE ENGINEER.
5. MAIN SEWER LINES MAY BE CONSTRUCTED OF EXTRA STRENGTH CLAY, ABS COMPOSITE PIPE, PVC OR DUCTILE CAST IRON. CONCRETE PIPE MAY BE USED WITH PRIOR APPROVAL OF THE ENGINEER.



OFF-ROAD
MANHOLE CONSTRUCTION



SADDLE DETAIL



CONCRETE ENCASEMENT
DETAIL

CONCRETE
QUANTITIES

(IN.) DIA.	CY./LF
4	0.07
6	0.08
9	0.10
10	0.11
12	0.13
14	0.14
16	0.16
18	0.18
20	0.20
24	0.23

NOTE: O.D. OF PIPE SHOWN IS THAT OF PIPE BARREL ONLY