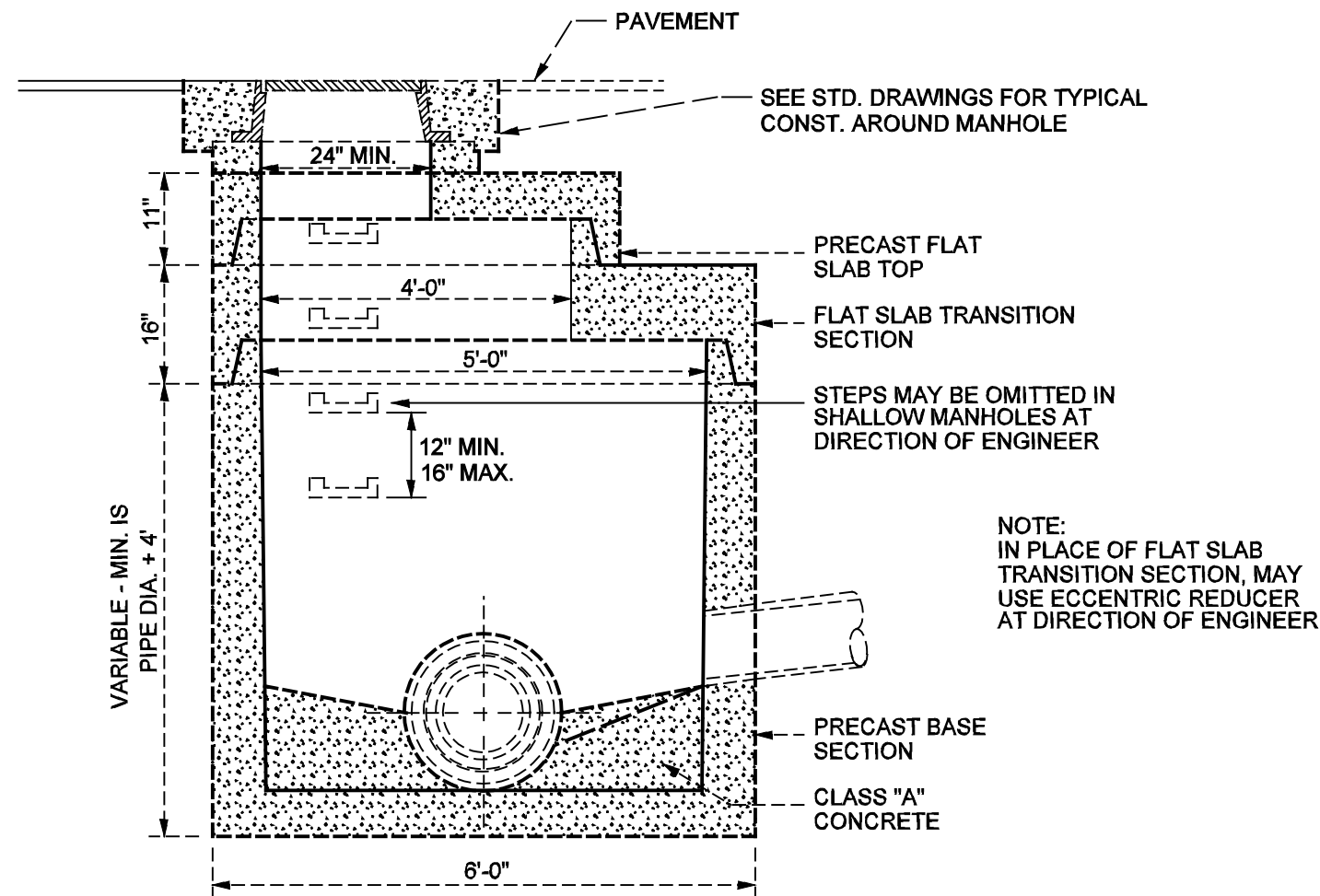
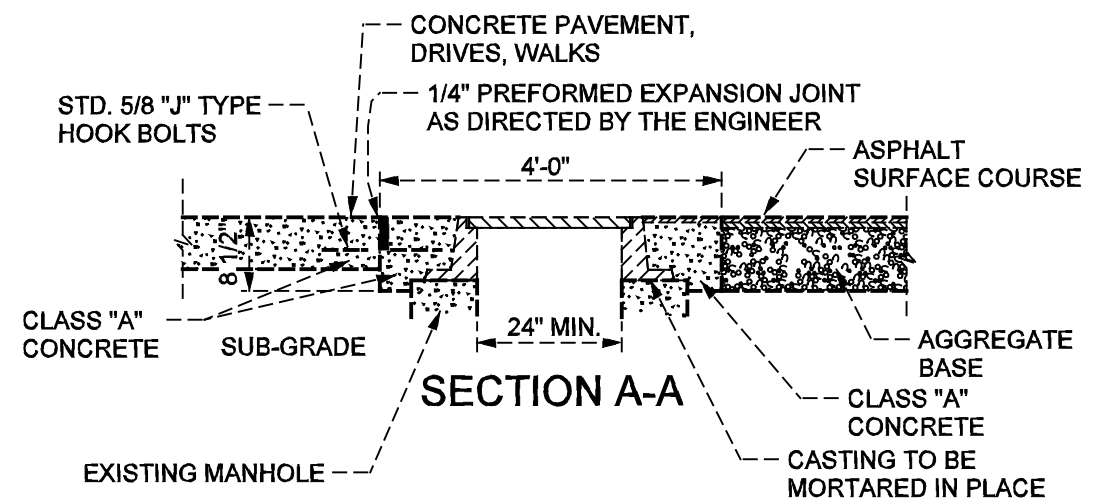
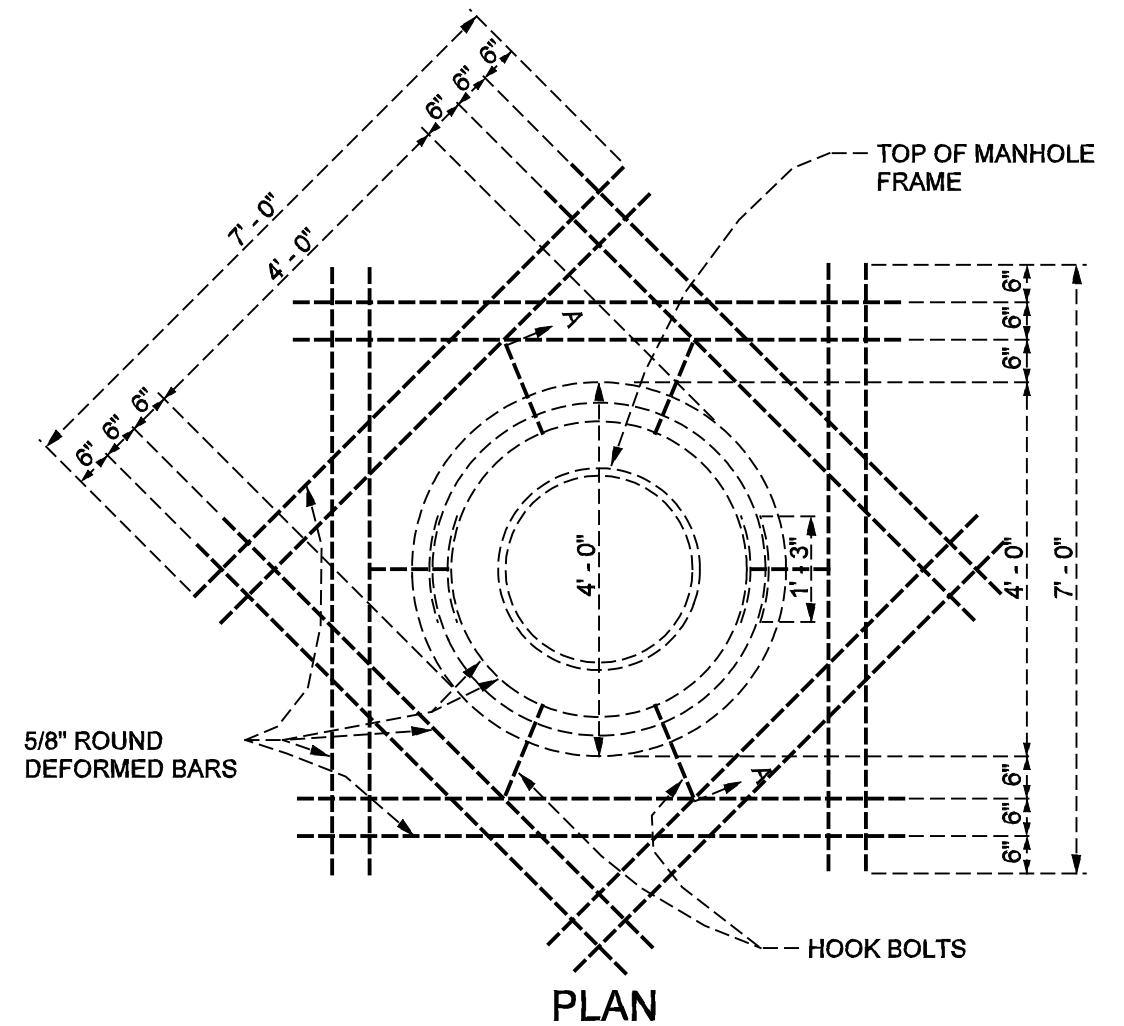


NOTE:
ECCENTRIC CONE MAY BE USED
IN PLACE OF CONCENTRIC CONE
AT DIRECTION OF THE ENGINEER.

ECCENTRIC CONE



TYPE "E" MANHOLE
FOR SEWERS 21" DIA. AND LARGER
FOR SEWERS 18" AND SMALLER USE A STANDARD TYPE
"A" MANHOLE BASE WITH A PRECAST FLAT SLAB TOP



TYPICAL CONSTRUCTION AROUND MANHOLE

MANHOLES SHALL BE INITIALLY SET AT A LOWER THAN
FINISHED BASE GRADE AND ADJUSTED TO FINAL GRADE
PRIOR TO PLACING OF THE SURFACE COURSE.