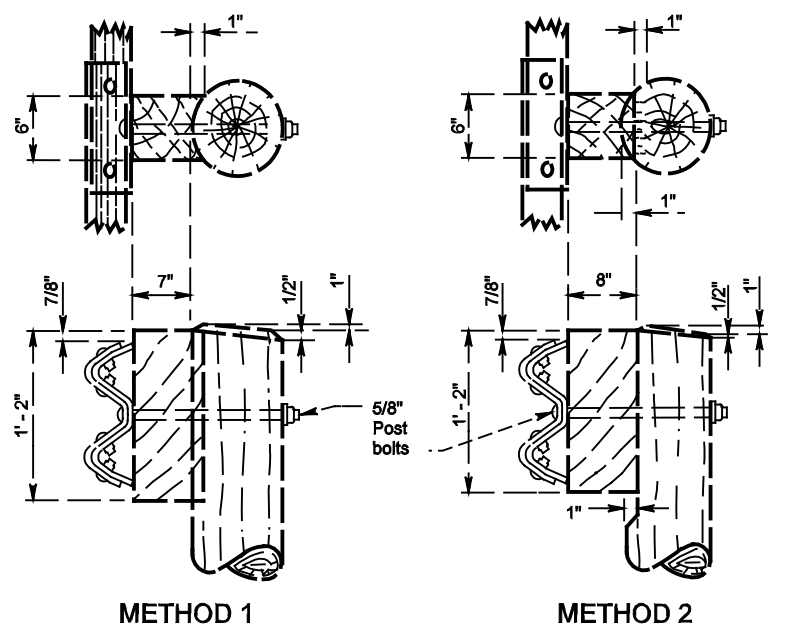
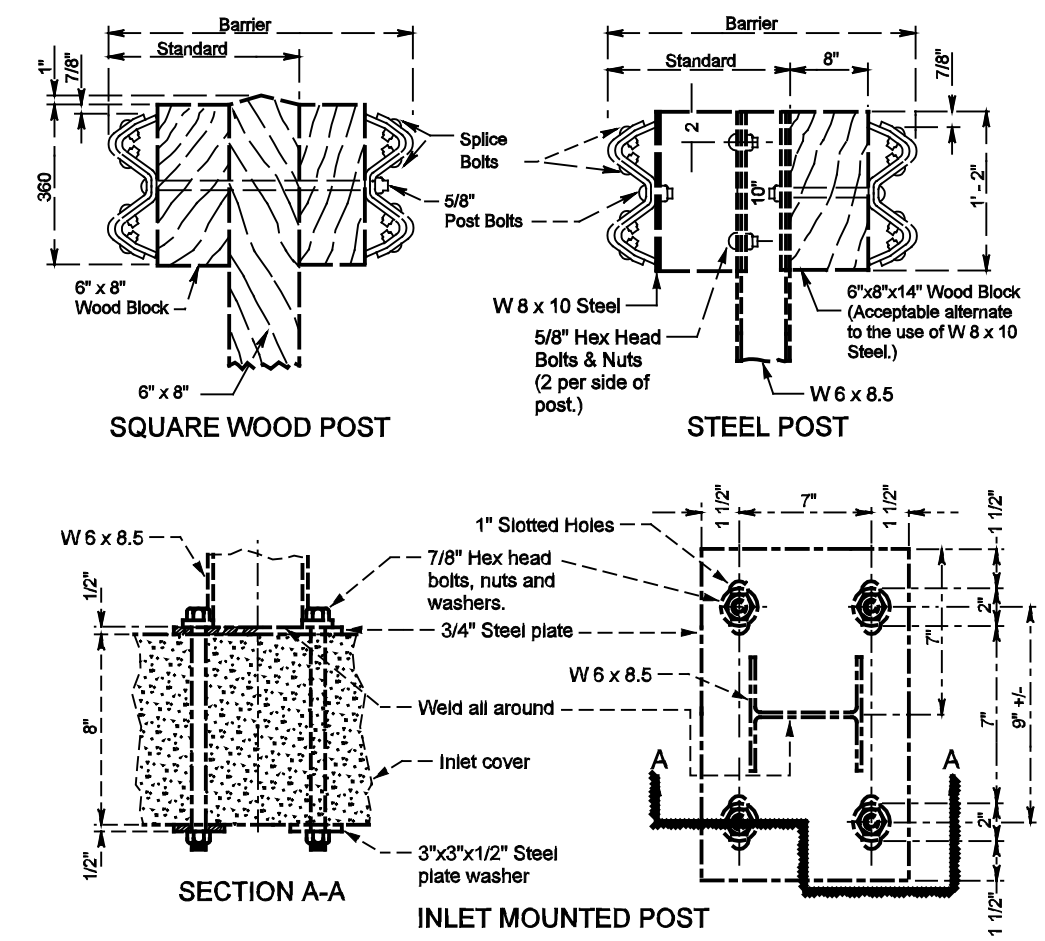


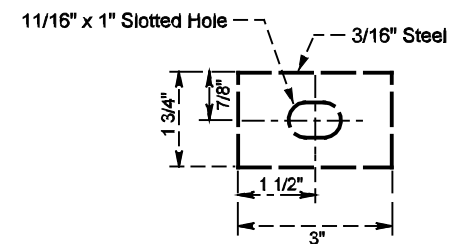
NOTES

Posts may be round (single rail only) or 6" x 8" square-sawn pressure-treated wood or W6 x 8.5 galvanized steel. The same type post shall be used throughout the length of the project unless otherwise required by the plans or permitted by the Engineer. Round posts shall 8", plus or minus 1" in diameter at the top and not more than 11" at the butt with a uniform taper from top to butt.



Note: Alternate methods of placing the space blocks on the round posts may be submitted for consideration and approval by the Engineer.

ROUND WOOD POSTS



NOTE: Place one rectangular washer between bolt head or nut and the face of rail. All other washers are standard.

POST BOLT WASHER